



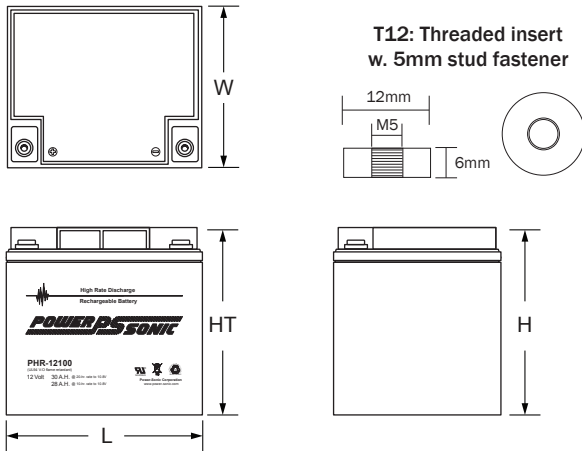
### Features

- Superb high-rate discharge characteristics that ensure reliable performance in UPS applications for up to 10 years. UL recognized
- Flame retardant ABS case and cover to UL 94 V-0 for superior performance
- VRLA Absorbent Glass Mat (AGM) Technology guarantees safe operation without maintenance and “non-restricted article” status for transportation. Approved for transport by air. D.O.T., I.A.T.A. and F.A.A. certified.
- Precision plate pasting for higher consistency with 100% load testing to ensure uniform capacity
- Patented dual-paste process for enhanced active material bonding, and computer guided volumetric electrolyte control for precision filling
- Lead-calcium alloy grids and the use of high purity lead account for superior shelf-life characteristics

### Performance Specifications

<b>Nominal Voltage</b> .....	12 volts (6 cells)
<b>Nominal Power (15 min.)</b> .....	103 W/Cell
<b>Rated Capacity</b>	
20-hr. (1.5A to 10.50 volts) .....	30.0 AH
10-hr. (2.8A to 10.50 volts) .....	28.0 AH
8-hr. (3.35A to 10.20 volts) .....	26.8 AH
5-hr. (5.1A to 10.20 volts) .....	25.5 AH
1-hr. (18.6A to 9.00 volts) .....	18.6 AH
15-min. (58.8A to 9.00 volts) .....	14.7 AH
<b>Approximate Weight</b> .....	21.38 lbs. (9.7 kg)
<b>Internal Resistance (approx.)</b> .....	9 milliohms
<b>Max Discharge Current (5 Sec.)</b> .....	230 amperes
<b>Max Short-Duration Discharge Current (0.1 Sec.)</b> .....	600 amperes
<b>Charging Voltage @ 77 °F (20 °C)</b>	
<b>Standby Use</b> .....	2.275 ± 0.025 V/Cell, (-3.3mV/°C/Cell)
<b>Cycle Use</b> .....	2.45±0.05 V/Cell, (-5 mV / °C/Cell)
<b>Maximum Charging Current</b> .....	8.4 A
<b>Case</b> .....	Flame Retardant ABS Plastic (UL 94 V-0)

### Physical Dimensions: in (mm)



L: 6.50 (165) W: 4.92 (125) H: 6.89 (175) HT: 6.89 (175)

Tolerances are +/- 0.04 in. (+/- 1mm) and +/- 0.08 in. (+/- 2mm) for height dimensions.

### Constant Current Discharge (Amperes) at 25°C

### Constant Power Discharge (Watts/Cell) at 25°C (Blue)

PHR-12100	5 min	10 min	15 min	20 min	30 min	45 min	1h	2h	3h	4h	5h	6h	8h	10h	20h
1.85V	61.29	47.04	38.98	33.70	26.10	19.20	16.22	8.33	6.52	5.30	4.32	3.75	3.02	2.53	1.39
1.80V	82.34	60.14	47.15	39.91	30.82	22.31	18.17	9.09	7.01	5.66	4.64	4.02	3.21	2.60	1.40
1.75V	92.80	66.13	51.52	42.89	31.97	23.23	18.97	9.42	7.14	5.78	4.76	4.13	3.26	2.67	1.41
1.70V	102.24	72.11	54.97	45.08	33.23	24.15	19.55	9.66	7.34	5.94	4.88	4.22	3.31	2.73	1.44
1.67V	110.45	76.96	58.13	47.70	34.97	24.65	19.95	9.77	7.63	6.12	4.99	4.30	3.35	2.77	1.46
1.65V	112.70	77.74	58.42	47.84	35.07	24.72	20.01	9.80	7.65	6.14	5.01	4.31	3.36	2.78	1.46
1.60V	124.31	84.41	62.44	51.06	37.03	25.76	20.24	10.20	7.88	6.33	5.18	4.40	3.39	2.81	1.47
1.85V	18.69	14.49	12.13	10.60	8.28	6.15	5.21	2.70	2.12	1.73	1.41	1.23	1.00	0.83	0.46
1.80V	24.82	18.30	14.45	12.34	9.62	7.11	5.81	2.92	2.27	1.83	1.51	1.31	1.05	0.86	0.46
1.75V	27.39	19.80	15.60	13.15	9.91	7.30	6.04	3.02	2.30	1.87	1.54	1.34	1.07	0.88	0.47
1.70V	29.32	21.08	16.43	13.72	10.25	7.57	6.21	3.09	2.36	1.91	1.58	1.37	1.08	0.90	0.47
1.67V	31.24	22.31	17.24	14.41	10.70	7.66	6.29	3.10	2.44	1.97	1.61	1.39	1.09	0.91	0.48
1.65V	31.87	22.54	17.33	14.45	10.73	7.69	6.31	3.11	2.45	1.97	1.62	1.40	1.10	0.91	0.48
1.60V	34.35	23.92	18.23	15.24	11.25	7.97	6.34	3.23	2.51	2.03	1.67	1.42	1.11	0.92	0.48